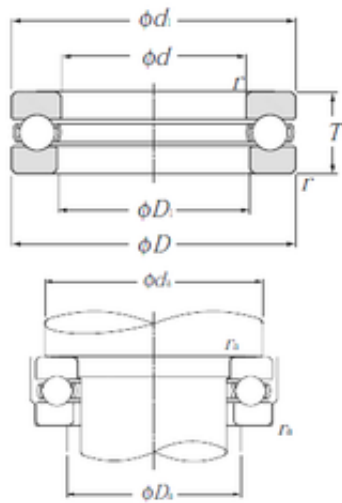




China Rexroth a10v Hydraulic Pump Sup...



51326 Bearing 2D drawings and 3D CAD models

51326 NTN Thrust Spherical Roller Bearing

Bearing No. 51326

Size	130x225x75 mm
Bore Diameter	130 mm
Outer Diameter	225 mm
Width	75 mm
d	130 mm
D	225 mm
T	75 mm
d1	220 mm
r min.	2,1 mm
D1	134 mm
da min.	186 mm
Da max.	169 mm
ra max.	2 mm
Weight	12,7 Kg
Basic dynamic load rating (C)	330 kN
Basic static load rating (C0)	960 kN
(Grease) Lubrication Speed	720 r/min
Category	Thrust Ball Bearing
Inventory	0.0
Manufacturer Name	NTN
Minimum Buy Quantity	N/A
Weight / Kilogram	12.7
Product Group	B00308
Rolling Element	Ball Bearing
Thrust Bearing	Yes
Single or Double Direction	Single Direction



China Rexroth a10v Hydraulic Pump Sup...

Banded	No
Cage Material	Steel
Precision Class	ABEC 1 ISO P0
Component Description	Roller Assembly Plus Raceways
Other Features	Single Row With Flat Seat
Long Description	130MM Bore 1; 134MM Bore 2; 225MM Outside Diameter; 75MM Height; Ball Bearing; Single Direction; Not Banded; Steel Cage; ABEC 1 ISO P0 Precision
Inch - Metric	Metric
Category	Thrust Ball Bearings
UNSPSC	31171552
Harmonized Tariff Code	8482.10.50.08
Noun	Bearing
Keyword String	Ball Thrust
Manufacturer URL	http://www.ntnamerica.com
Manufacturer Item Number	51326
Weight / LBS	27.99871
Height	2.953 Inch 75 Millimeter
Outside Diameter	8.858 Inch 225 Millimeter
Bore 2	5.276 Inch 134 Millimeter
Overall Height with Aligning Washer	0 Inch 0 Millimeter
Bore 1	5.118 Inch 130 Millimeter